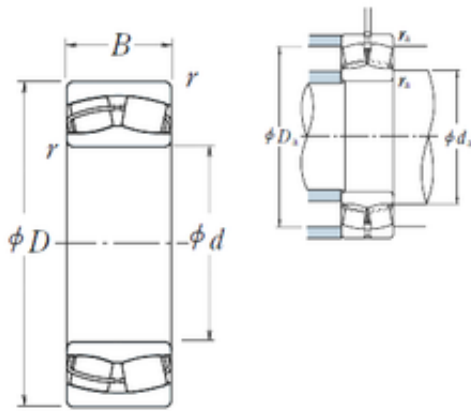




## Bearing Electronic Instrument Co., Ltd.



24132CE4 Bearing 2D drawings and 3D CAD models

### NSK 24132CE4 spherical roller bearings

Bearing No. 24132CE4

Size	160x270x109 mm
Bore Diameter	160 mm
Outer Diameter	270 mm
Width	109 mm
d	160 mm
D	270 mm
B	109 mm
C	109 mm
r min.	2,1 mm
da min.	172 mm
da max	179 mm
Da min	229 mm
Da max.	258 mm
ra max.	2 mm
Weight	25,4 Kg
Basic dynamic load rating (C)	1040 kN
Basic static load rating (C0)	1760 kN
(Grease) Lubrication Speed	1000 r/min
(Oil) Lubrication Speed	1300 r/min
Calculation factor (e)	0,39
Calculation factor (Y0)	1,7
Calculation factor (Y2)	2,6
Category	Spherical Roller Bearings
Inventory	0.0
Manufacturer Name	NSK
Minimum Buy Quantity	N/A



## Bearing Electronic Instrument Co., Ltd.

Weight / Kilogram	24
EAN	0029176010804
Product Group	B04311
Internal Clearance	C0-Medium
Mounting Method	Shaft Mount
Rolling Element	Spherical Roller Bearing
Bore Profile	Straight
Cage Material	Steel
Enclosure	Open
Number of Rows of Rollers	Double Row
Relubricatable	Yes
Withdrawal Sleeve	Not Applicable
Inch - Metric	Metric
Long Description	160MM Straight Bore; 270MM Outside Diameter; 109MM Width; C0-Medium Clearance; Shaft Mount; Double Row of Spherical Roller Bearings; Steel Cage Material; Open Enclosure; Relubricatable
Category	Spherical Roller Bearing
UNSPSC	31171510
Harmonized Tariff Code	84823080
Noun	Bearing
Keyword String	Spherical
Manufacturer URL	<a href="http://www.nskamericas.com">http://www.nskamericas.com</a>
Manufacturer Item Number	24132CE4
Weight / LBS	24
Bore	6.299 Inch   160 Millimeter
Adapter Part Number	Not Applicable Inch   Not Applicable Millimeter
Width	4.291 Inch   109 Millimeter
Outside Diameter	10.63 Inch   270 Millimeter



## Bearing Electronic Instrument Co., Ltd.

Y3	1.7
hidYobi	24132CE4
LangID	1
Y1	1.7
D_	270
Y2	2.6
Macha rpm	0
B_	109
da min	172
hidTable	ecat_NSSPHR
Oil rpm	1300
Y0	1.7
mass	25.4
GRS rpm	1000
ra	2
TSR rpm	1300
C0	1760
DE_	242.037
X0	1
Prod_Type3	SRB_CTB_CB
X1	1
X2	0.67
SIR	43.5
e	0.39
DA_	28
bomp	24132CE4
Z_	20
ALP2	30
ALP1	14
ALP3	0
D_a max	258
D_a min	229



## Bearing Electronic Instrument Co., Ltd.

yobi	24132CE4
ALPHA_	0.253
SDM_	214.929
r	2.1
KBRG	2322
SBRG	41
DI_	187.821