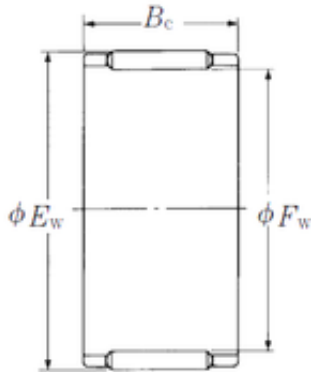




Bearing Electronic Instrument Co., Ltd.

NSK FBNP-7108 needle roller bearings



Bearing No. FBNP-7108

Bore Diameter	7 mm
Outer Diameter	10 mm
Fw	7 mm
Ew	10 mm
Bc	8 mm
Weight	0,0013 Kg
Basic dynamic load rating (C)	2,84 kN
Basic static load rating (C0)	2,56 kN
(Grease) Lubrication Speed	40000 r/min
(Oil) Lubrication Speed	67000 r/min
hidYobi	FBNP-7108
LangID	1
Prod_Type3	NRB_CNRA_FWF-FWJ
d	7
D_	10
DA_	1.5
Z_	9
C	2.84
B_	8
hidTable	ecat_NSCRA
yobi	FBNP-7108
mass	1.3
GRS rpm	40000
OIL rpm	67000
SDM_	8.5
KBRG	8118

FBNP-7108 Bearing 2D drawings and 3D CAD models



Bearing Electronic Instrument Co., Ltd.

C0	2.56
SLR	5.8