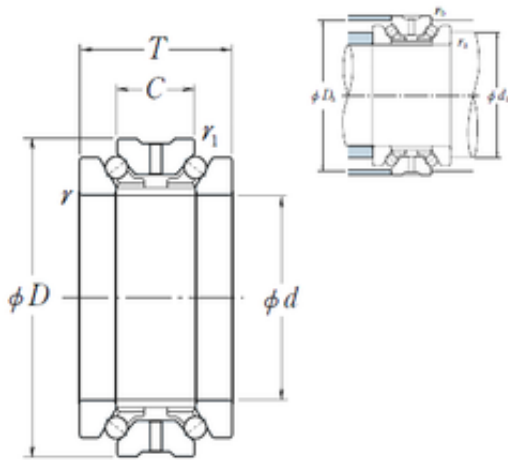




Bearing Electronic Instrument Co., Ltd.

NSK 130TAC29X+L thrust ball bearings

Bearing No. 130TAC29X+L



130TAC29X+L Bearing 2D drawings and 3D CAD models

Size	130x180x60 mm
Bore Diameter	130 mm
Outer Diameter	180 mm
Width	60 mm
d	130 mm
D	180 mm
T	60 mm
C	30 mm
Angle (°)	60 °
r min.	1,5 mm
r1 min.	1 mm
Da	170 mm
ra max.	1,5 mm
rb max.	1 mm
da	150 mm
Weight	3,95 Kg
Basic dynamic load rating (C)	79,5 kN
Basic static load rating (C0)	315 kN
(Grease) Lubrication Speed	3000 r/min