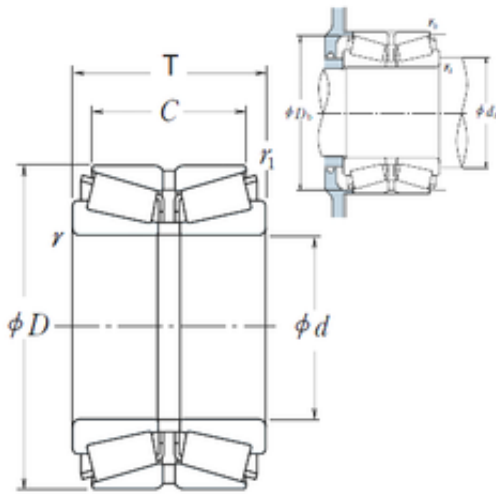




Bearing Electronic Instrument Co., Ltd.

NSK 160KBE030+L tapered roller bearings

Bearing No. 160KBE030+L



160KBE030+L Bearing 2D drawings and 3D CAD models

Size	160x240x75 mm
Bore Diameter	160 mm
Outer Diameter	240 mm
Width	75 mm
d	160 mm
D	240 mm
T	75 mm
C	60 mm
r min.	3 mm
r1 min.	1 mm
da min.	178 mm
Db min.	230 mm
ra max.	2,5 mm
rb max.	1 mm
Weight	10,5 Kg
Basic dynamic load rating (C)	395 kN
Basic static load rating (C0)	710 kN
(Grease) Lubrication Speed	1100 r/min
(Oil) Lubrication Speed	1500 r/min
Calculation factor (e)	0,4
Calculation factor (Y0)	1,6
Calculation factor (Y2)	2,5