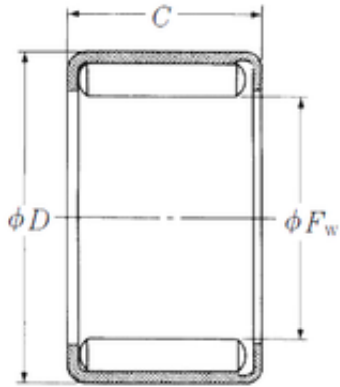




Bearing Electronic Instrument Co., Ltd.

NSK Y-2610 needle roller bearings



Bearing No. Y-2610

Size	41.275x50.8x15.88 mm
Bore Diameter	41,275 mm
Outer Diameter	50,8 mm
Width	15,88 mm
Fw	41,275 mm
D	50,8 mm
C	15,88 mm
Weight	0,073 Kg
Basic dynamic load rating (C)	33 kN

Y-2610 Bearing 2D drawings and 3D CAD models