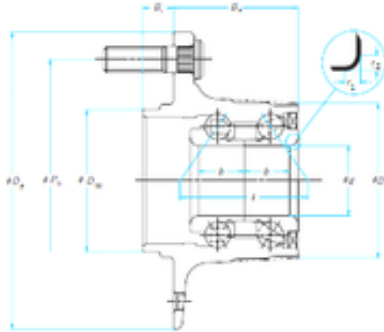




# Bearing Electronic Instrument Co., Ltd.

## NSK 30BWK11 angular contact ball bearings



30BWK11 Bearing 2D drawings and 3D CAD models

Bearing No. 30BWK11

Bore Diameter	30 mm
Outer Diameter	125 mm
d	30 mm
D	125 mm
Df	125 mm
Pb	100 mm
Bi	14 mm
b	25 mm
r1 min.	4 mm
r2 min.	3,5 mm
B1	56,5 mm
D	67 mm
Dw	56 mm
	61,3 Tolerance h14
Weight	1,91 Kg
Basic dynamic load rating (C)	44 kN
Basic static load rating (C0)	34,5 kN