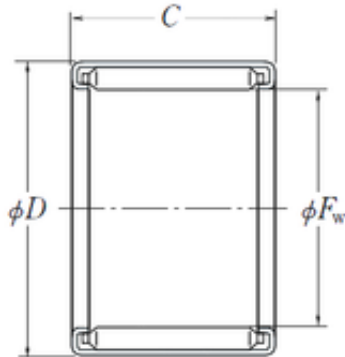




Bearing Electronic Instrument Co., Ltd.

NSK F-2216 needle roller bearings



Bearing No. F-2216

Size	22x28x16 mm
Bore Diameter	22 mm
Outer Diameter	28 mm
Width	16 mm
Fw	22 mm
D	28 mm
C	16 mm
Weight	0,024 Kg
Basic dynamic load rating (C)	17,1 kN
(Grease) Lubrication Speed	2400 r/min
NB-DI	0
NA-DEX	26.209
hidYobi	F-2216
LangID	1
D_	28
NC-SLR	14
B_	16.5
n_yobi	FIR-172216
hidTable	ecat_NSDCNR
mass_k	24
d1	17
GRS rpm	2400
ra	0.3
NC-SLR1	0
C0	34.279
C1	16

F-2216 Bearing 2D drawings and 3D CAD models



Bearing Electronic Instrument Co., Ltd.

Prod_Type3	NRB_DC_F-MF_FC_OT
da	19
d	17
NC-RAC	0
Pmax	14800
N-SDM	0
yobi	F-2216
C1_C2	2.2
ND-Z	0
OIL rpm	4000
NC-DA	2.098
N-KBRG	8200
NC-KMS	36
B1	16.5