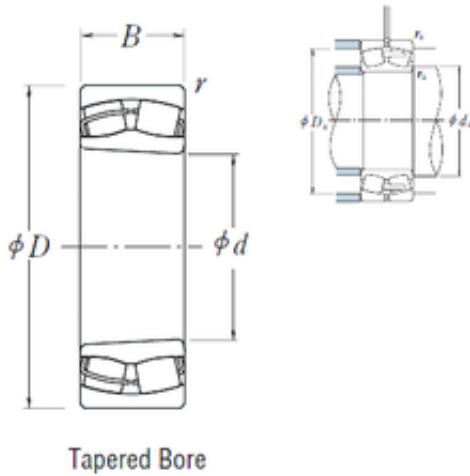




Bearing Electronic Instrument Co., Ltd.



22205CKE4 Bearing 2D drawings and 3D CAD models

NSK 22205CKE4 spherical roller bearings

Bearing No. 22205CKE4

Size	25x52x18 mm
Bore Diameter	25 mm
Outer Diameter	52 mm
Width	18 mm
d	25 mm
D	52 mm
B	18 mm
C	18 mm
r min.	1 mm
da min.	31 mm
da max	31 mm
Da min	45 mm
Da max.	46 mm
ra max.	1 mm
Weight	0,17 Kg
Basic dynamic load rating (C)	37,5 kN
Basic static load rating (C0)	37 kN
(Grease) Lubrication Speed	7100 r/min
(Oil) Lubrication Speed	9000 r/min
Calculation factor (e)	0,35
Calculation factor (Y0)	1,9
Calculation factor (Y2)	2,9
Category	Bearings
Inventory	0.0
Manufacturer Name	NSK
Minimum Buy Quantity	N/A



Bearing Electronic Instrument Co., Ltd.

Weight / Kilogram	0.167
Product Group	B04311
Y3	1.9
hidYobi	22205CKE4
LangID	1
Y1	1.9
D_	52
Y2	2.9
Macha rpm	0
B_	18
da min	31
hidTable	ecat_NSSPHR
Oil rpm	9000
Y0	1.9
mass	0.17
GRS rpm	7100
ra	1
TSR rpm	10000
C0	37
DE_	46.543
X0	1
Prod_Type3	SRB_CTB_TB
X1	1
X2	0.67
SIR	5.5
e	0.35
DA_	7.3
bomp	22205CKE4
Z_	14
ALP2	10
ALP1	13
ALP3	0



Bearing Electronic Instrument Co., Ltd.

D_a max	46
D_a min	45
yobi	22205CKE4
ALPHA_	0.23
SDM_	39.435
r	1
KBRG	2322
SBRG	22
DI_	32.327