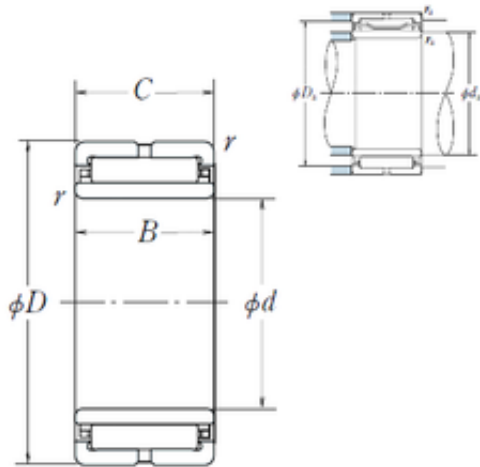




Bearing Electronic Instrument Co., Ltd.

NSK NA5905 needle roller bearings



Bearing No. NA5905

Size	25x42x23 mm
Bore Diameter	25 mm
Outer Diameter	42 mm
Width	23 mm
d	25 mm
Fw	30 mm
D	42 mm
B	23 mm
C	23 mm
r min.	0,3 mm
da min.	27 mm
Da max.	40 mm
ra max.	0,3 mm
Weight	0,14 Kg
Basic dynamic load rating (C)	30 kN
Basic static load rating (C0)	41,5 kN
(Grease) Lubrication Speed	9000 r/min
hidYobi	NA5905
LangID	1
D_	42
B_	23
hidTable	ecat_NSMRNR
GRS rpm	9000
ra	0.3
da_min	27
d2	25

NA5905 Bearing 2D drawings and 3D CAD models



Bearing Electronic Instrument Co., Ltd.

C0	41.5
C1_	23
DE_	38
SLR	17.8
Prod_Type3	NRB_S_NA
DA_	4
Z_	16
SI	30
yobi	NA5905
da_max	40
OIL rpm	14000
SDM_	34
r	0.3
KBRG	8353
mass2	0.14
B1	23