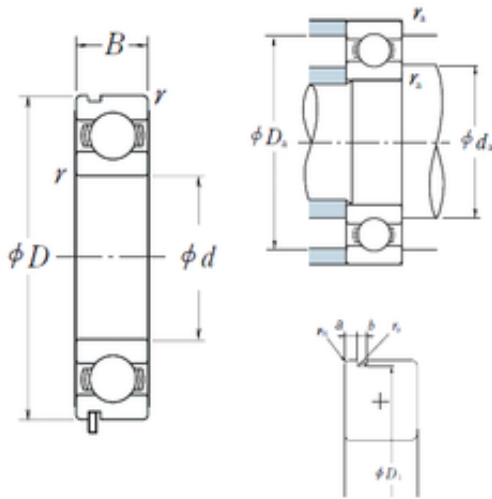




Bearing Electronic Instrument Co., Ltd.



NSK 6809N deep groove ball bearings

Bearing No. 6809N

Size	45x58x7 mm
Bore Diameter	45 mm
Outer Diameter	58 mm
Width	7 mm
d	45 mm
D	58 mm
B	7 mm
C	7 mm
rn	0,3 mm
a	1,3 mm
b	0,95 mm
r min.	0,3 mm
r0 max.	0,25 mm
D1	56,7 mm
da min.	47 mm
da max	47,5 mm
Da max.	56 mm
ra max.	0,3 mm
Weight	0,038 Kg
Basic dynamic load rating (C)	6,6 kN
Basic static load rating (C0)	6,15 kN
(Grease) Lubrication Speed	11 000 r/min
(Oil) Lubrication Speed	13 000 r/min
SRI	2.05
hidYobi	6809N
LangID	1

6809N Bearing 2D drawings and 3D CAD models



Bearing Electronic Instrument Co., Ltd.

ro	0.25
D_	58
SREX	0.015
B_	7
da min	47
hidTable	ecat_NSRDGB
Oil rpm	13000
SRE	2.05
mass	0.038
GRS rpm	11000
ra	0.3
SRIX	0.015
D_a	56
SRIN	-0.015
C0	6.15
fo	17.2
SREN	-0.015
DE_	55.469
Prod_Type3	DGBB_SR_N_OT
DA_	3.969
bomp	0
Z_	23
yobi	6809N
C_conv	6600
ALPHA_	0
SDM_	51.5
r	0.3
KBRG	6101
SBRG	18
DI_	47.531