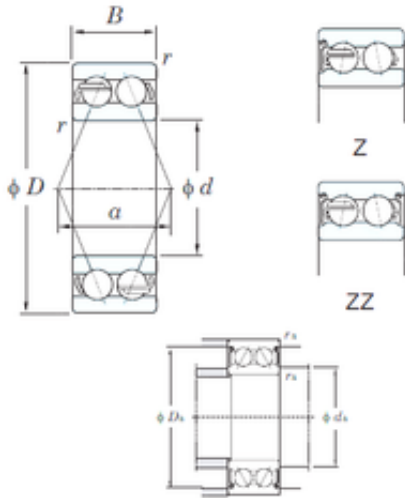




Bearing Electronic Instrument Co., Ltd.



5309ZZ Bearing 2D drawings and 3D CAD models

KOYO 5309ZZ angular contact ball bearings

Bearing No. 5309ZZ

Size	45x100x39.7 mm
Bore Diameter	45 mm
Outer Diameter	100 mm
Width	39.7 mm
d	45 mm
D	100 mm
B	39.7 mm
C	39.7 mm
a	51.0 mm
r min.	1.5 mm
da min.	53.5 mm
da max	58.2 mm
Da max.	91.5 mm
ra max.	1.5 mm
Weight	1.42 Kg
Basic dynamic load rating (C)	68.9 kN
Basic static load rating (C0)	51.4 kN
Category	Angular Contact Ball Bearings
Inventory	0.0
Manufacturer Name	KOYO
Minimum Buy Quantity	N/A
Weight / Kilogram	1.472
EAN	0605790370335
Product Group	B00152
Enclosure	2 Metal Shields



Bearing Electronic Instrument Co., Ltd.

Flush Ground	No
Rolling Element	Ball Bearing
Number of Rows of Balls	Double Row
Precision Class	ABEC 1 ISO P0
Maximum Capacity / Filling Slot	No
Snap Ring	No
Cage Material	Steel
Contact Angle	24 Degree
Internal Clearance	C0-Medium
Number of Bearings	1 (Single)
Inch - Metric	Metric
Long Description	45MM Bore; 100MM Outside Diameter; 39.69MM Width; 2 Metal Shields; No Flush Ground; Ball Bearing; Double Row of Balls; ABEC 1 ISO P0; No Filling Slot; No Snap Ring; C0-Medium; Steel Cage; 24 Degree;
Category	Angular Contact Ball Bearing
UNSPSC	31171531
Harmonized Tariff Code	8482.10.50.28
Noun	Bearing
Keyword String	Angular Contact
Manufacturer URL	http://www.koyousa.com
Bore	1.772 Inch 45 Millimeter
Outside Diameter	3.937 Inch 100 Millimeter
Width	1.563 Inch 39.69 Millimeter