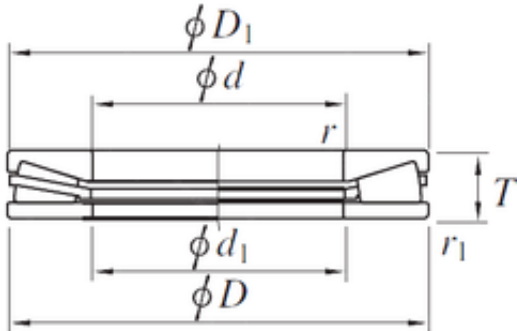




Bearing Electronic Instrument Co., Ltd.

KOYO THR484011 thrust roller bearings



Bearing No. THR484011

Size	241x404x110 mm
Bore Diameter	241 mm
Outer Diameter	404 mm
Width	110 mm
d	241 mm
D	404 mm
T	110 mm
d1	241 mm
r min.	5 mm
r1 min.	5 mm
D1	404 mm
Weight	62.0 Kg
Basic dynamic load rating (C)	2 200 kN

THR484011 Bearing 2D drawings and 3D CAD models