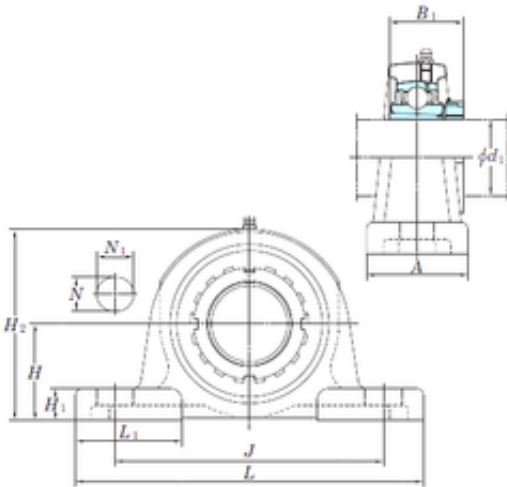




Bearing Electronic Instrument Co., Ltd.

KOYO UKP205 bearing units

Bearing No. UKP205



UKP205 Bearing 2D drawings and 3D CAD models

Bore Diameter	20 mm
Width	36,5 mm
d	20 mm
A	38 mm
B1	29 mm
H	36,5 mm
H1	13 mm
H2	71 mm
J	105 mm
L	140 mm
L1	43 mm
N	13 mm
N1	18 mm
Bolt (G)	M10
Weight	0,84 Kg
Basic dynamic load rating (C)	14 kN
Basic static load rating (C0)	7,85 kN
Bearing No.	UKP205
Bolt size	M10
Cr	14.0
C0r	7.85
f0	13.9
B	29
S	0.84
(Refer.)Unit mass(kg)	1/4-28UNF