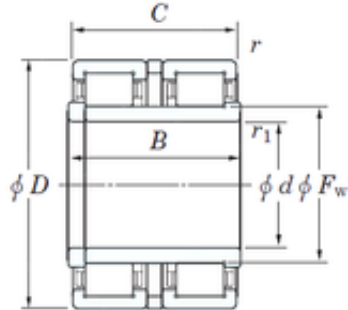




# Bearing Electronic Instrument Co., Ltd.

## KOYO 2CR120A cylindrical roller bearings



Bearing No. 2CR120A

Size	120x240x185 mm
Bore Diameter	120 mm
Outer Diameter	240 mm
Width	185 mm
d	120 mm
Fw	150 mm
D	240 mm
B	185 mm
C	180 mm
r min.	2 mm
r1 min.	7 mm
Weight	37,8 Kg
Basic dynamic load rating (C)	983 kN

2CR120A Bearing 2D drawings and 3D CAD models