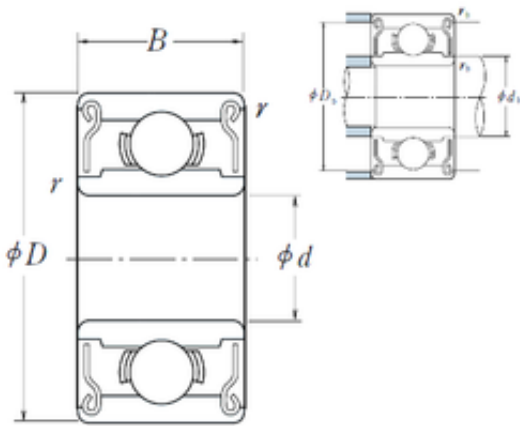




Bearing Electronic Instrument Co., Ltd.

ISO R4AAZZ deep groove ball bearings

Bearing No. R4AAZZ



Size	6.35x19.05x7.142 mm
Bore Diameter	6,35 mm
Outer Diameter	19,05 mm
Width	7,142 mm
d	6,35 mm
D	19,05 mm
B	7,142 mm
C	7,142 mm
r min.	0,4 mm

R4AAZZ Bearing 2D drawings and 3D CAD models