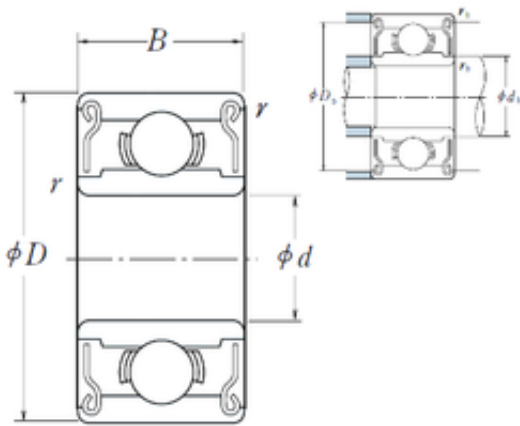




# Bearing Electronic Instrument Co., Ltd.



## ISO 697ZZ deep groove ball bearings

Bearing No. 697ZZ

Size	7x17x5 mm
Bore Diameter	7 mm
Outer Diameter	17 mm
Width	5 mm
d	7 mm
D	17 mm
B	5 mm
C	5 mm
r min.	0,3 mm

697ZZ Bearing 2D drawings and 3D CAD models